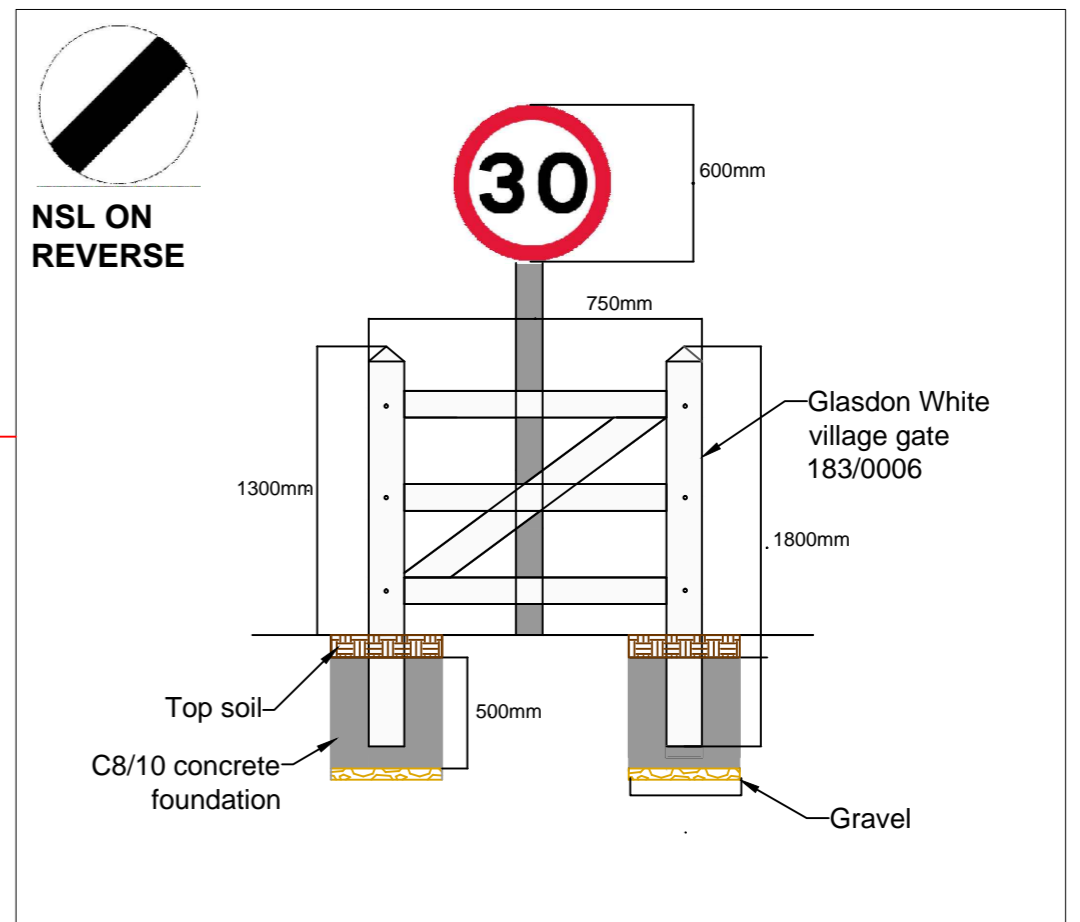
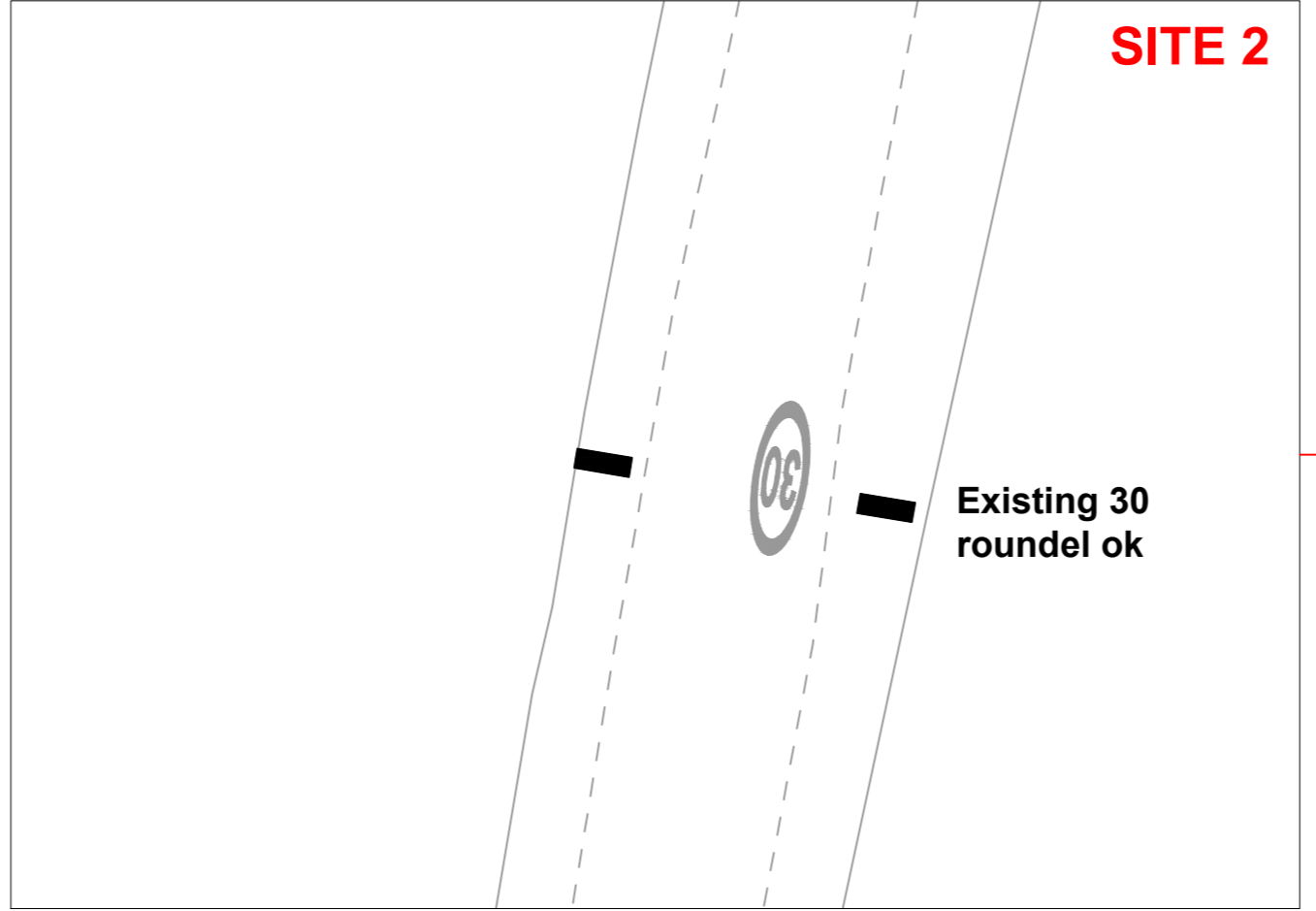
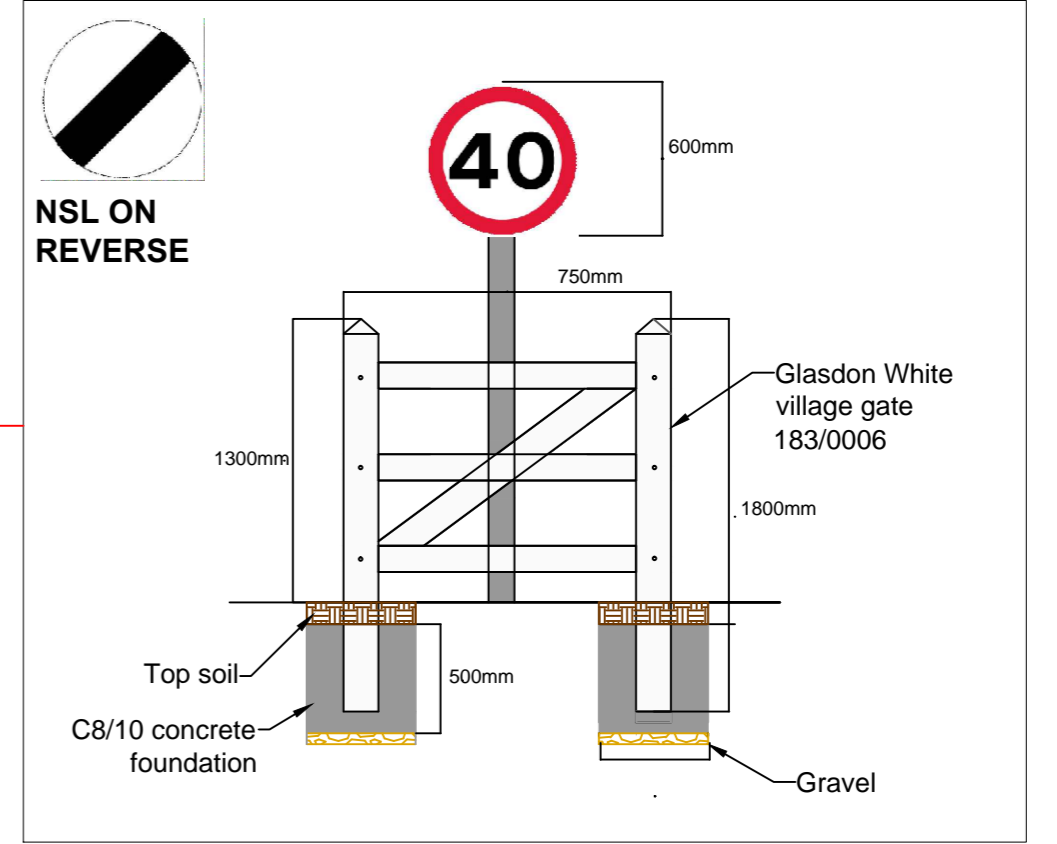
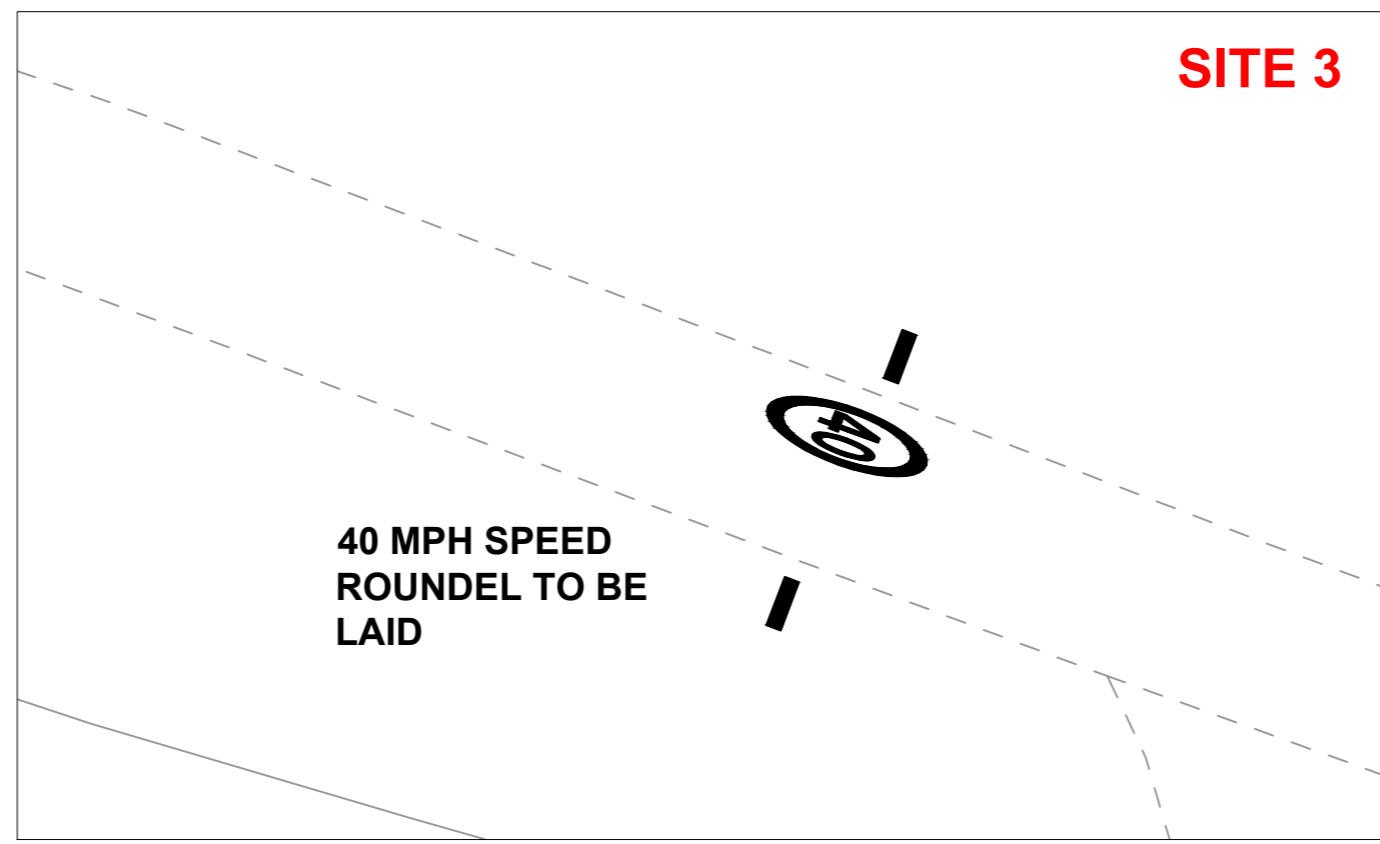


Gate and sign arrangement for site 1



Gate and sign arrangement for site 2



Gate and sign arrangement for site 3

NOTES:
 Locations subject to safety check.
 Site 1= Existing speed limit signs and new gates to be moved 1m North to allow sufficient room for the gate installation. Vegetation to be trimmed back. 0mph roundel to be refreshed. (tip posts and replace with new, re-erect signs)
 Site 2= Vegetation to be trimmed. 30mph roundel ok. (existing signs and post to remain)
 Site 3= Vegetation to be trimmed on Southern side. Northern side, land not showing as highway, Parish Council to Consult with land owner (farmer) to seek permission to install gates. Existing Speed limit signs currently on farmers land. 40mph roundel to be laid. (tip 1 post and replace with new, re-erect signs)(tip 1 post and replace with new, re-erect signs.)

This map is reproduced from Ordnance Survey material with the permission of Ordnance Survey on behalf of the Controller of Her Majesty's Stationery Office © Crown Copyright. Unauthorised reproduction infringes Crown Copyright and may lead to prosecution or Civil Proceedings. Wiltshire Council (100049050) 2019



| | | | | | |
|-----|------|-------|-------|--------------|-------------|
| E | | | | | |
| D | | | | | |
| C | | | | | |
| B | | | | | |
| A | | | | | |
| 0 | 9/19 | SLD | MJS | MJS ORIGINAL | |
| REV | DATE | DRAWN | CHECK | APPRV | DESCRIPTION |

PROJECT: CALNE CATG

DRAWING TITLE: STOCKLEY VILLAGE GATES AND SIGNS

| | | | |
|-------------|-------------|------|---|
| SCALES: | NTS | | |
| DRAWING NO: | D001 PD | REV: | O |
| FILE REF: | 17ETCOLNE18 | | |